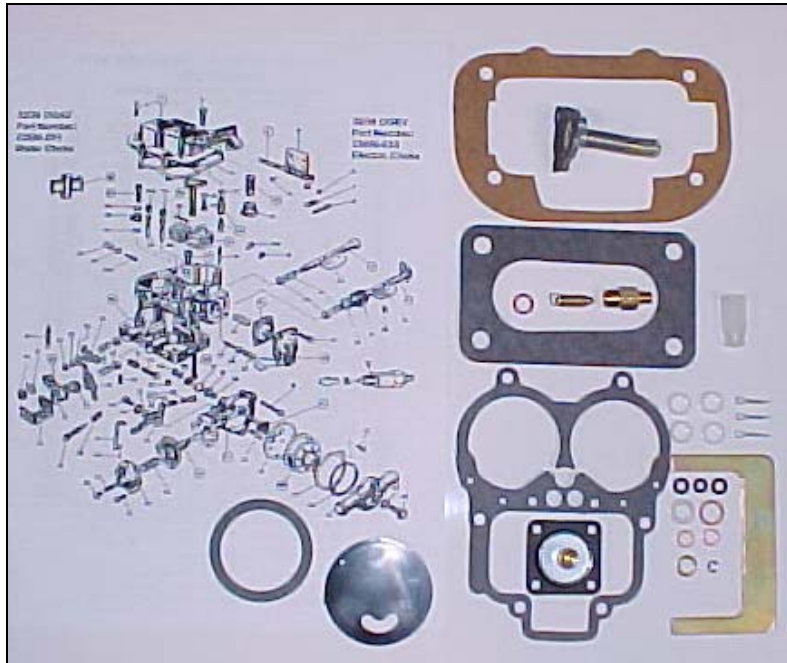


Weber 32/36 DGV, DGEV, DGAV Rebuild Kits for carbs with Plastic Floats



92.3237.05 DLX P

1. These special deluxe rebuild kits are not to be confused with the many “cheap kits” on the market.
2. The DLX P kits include:

Air filter gasket	99005.069
Carburetor top gasket (float bowl)	41705.035
Mounting base gasket	99005.068
Viton tipped needle and seat	79519.200
Accelerator pump diaphragm	47407.355
Power valve diaphragm assembly	57804.052
Fuel filter	37022.010
Washers, O-rings, split pins	
Throttle shaft seals	12750.085
Genuine Weber float setting gauge	98.0284.00
Carb exploded view and parts list	
Float leveling instructions	
Idle setting procedures	